

**PLEASE CHECK WWW.MOLEX.COM FOR LATEST PART INFORMATION**

**Part Number:** [0008560123](#)  
**Status:** **Active**  
**Overview:** [kk](#)  
**Description:** Trifurcon™ Crimp Terminal 7258, 22-26 AWG, Reel, Phosphor Bronze Gold (Au)

**Documents:**

[Drawing \(PDF\)](#) [RoHS Certificate of Compliance \(PDF\)](#)  
[Product Specification PS-40-02 \(PDF\)](#)

**General**

Product Family	Crimp Terminals
Series	<a href="#">7258</a>
Crimp Quality Equipment	Yes
Overview	<a href="#">kk</a>
Product Name	Trifurcon™

**Physical**

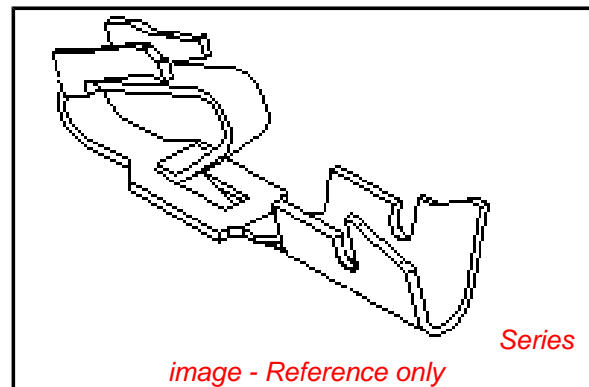
Gender	Female
Material - Metal	Phosphor Bronze
Material - Plating Mating	Gold
Material - Plating Termination	Nickel
Packaging Type	Reel
Plating min: Mating (µin)	30
Plating min: Mating (µm)	0.75
Plating min: Termination (µin)	50
Plating min: Termination (µm)	1.25
Termination Interface: Style	Crimp or Compression
Wire Insulation Diameter	1.65mm (.065") max.
Wire Size AWG	22, 24, 26
Wire Size mm <sup>2</sup>	N/A

**Material Info**

Old Part Number	7258-A(P558)
-----------------	--------------

**Reference - Drawing Numbers**

Product Specification	PS-40-02
Sales Drawing	SD-7258



**EU RoHS**

**ELV and RoHS  
Compliant**  
**REACH SVHC  
Contains SVHC: No**  
**Halogen-Free  
Status**

**China RoHS**



**Need more information on product  
environmental compliance?**

Email [productcompliance@molex.com](mailto:productcompliance@molex.com)  
For a multiple part number RoHS Certificate of Compliance, [click here](#)

Please visit the [Contact Us](#) section for any non-product compliance questions.

**Search Parts in this Series**

[7258Series](#)

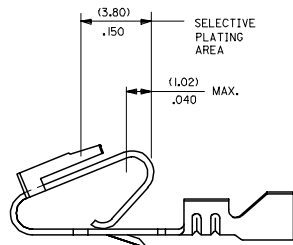
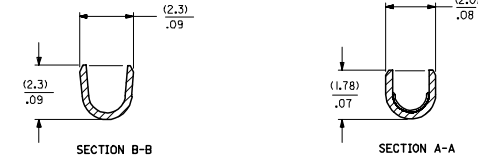
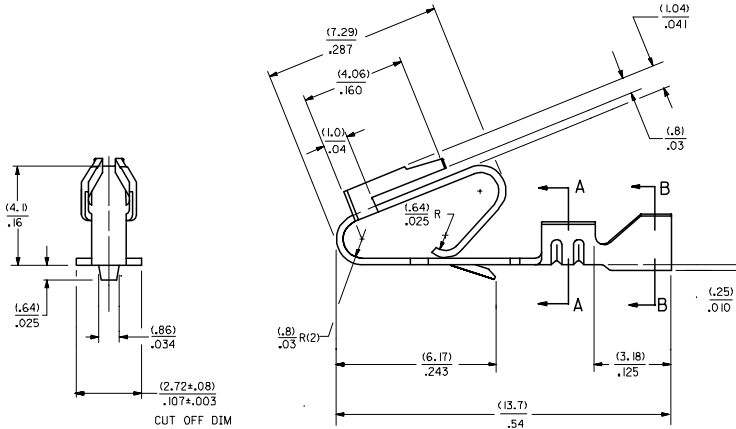
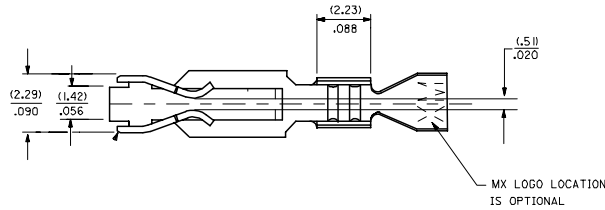
**Application Tooling | [FAQ](#)**

*Tooling specifications and manuals are found by selecting the products below. Crimp Height Specifications are then contained in the Application Tooling Specification document.*

**Global**

Description	Product #
Terminator Die	<a href="#">0011402097</a>
HAND CRIMP TOOL	<a href="#">0638117400</a>
Mini-Mac™	<a href="#">0638881000</a>
Applicator	

- NOTES
2. CRIMP FOR 22 TO 26 GA. WIRE WITH MAX. INSULATION DIA. OF (.165)/.065
  3. PLATINGS CONFORM TO MOLEX ENG. STD. SDES-88.
  4. DIMENSIONS GIVEN ACROSS CENTERLINES ARE SYMMETRICAL ABOUT THOSE CENTERLINES WITHIN HALF THE TOTAL TOLERANCE.
  5. PARTS CONFORM TO PRODUCT SPECIFICATION PS-40-02.



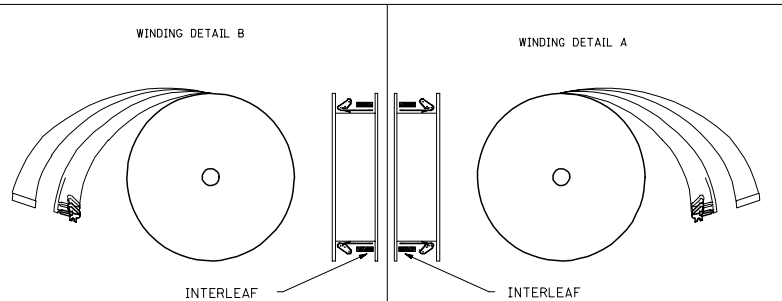
SELECTIVE PLATING AREA

7258-1(1)  
 MAT'L (.27)±.0106 THK J FORM  
 BLANK=BRASS BLANK= CHAIN PER DETAIL B  
 A=PHOS. BRONZE A=CHAIN PER DETAIL A  
 L= LOOSE

PLATING PER SDES- 88

- (909) \* OVERALL HOT TIN DIP: .00254 MICROMETERS MIN.
- (558) SELECT GOLD: .00076 MICROMETERS MIN.
- OVERALL GOLD FLASH: .00005 MICROMETERS MIN.
- OVERALL NICKEL UNDERPLATE: .00127 MICROMETERS MIN.
- (561) SELECT GOLD: .00076 MICROMETERS MIN.
- OVERALL NICKEL UNDERPLATE: .00127 MICROMETERS MIN.

\*THE PRIMARY SHIPPING CARTON WILL BE LABELED "COMPLIANT TO RoHS DIRECTIVE 2002/95/EC AND ELV ANNEX II OF DIRECTIVE 2000/53/EC." CARTONS WITHOUT THIS LABEL MAY CONTAIN PRODUCT WITH TIN-LEAD PLATING.



CHANGE TO ME10 DEC NO: UCP2005-0964 DR: WADPATNOL 2004/11/19 CHKCD: SAMEC 2006/04/19/59 APPR: MMARGULIS 2004/11/02/	QUALITY SYMBOLS ▽=0 ▽=0	GENERAL TOLERANCES (UNLESS SPECIFIED) mm INCH 4 PLACES ± .15 ± .006 3 PLACES ± .10 ± .004 2 PLACES ± 0.25 ± .014 1 PLACE ± 0.36 ± .014 ANGULAR ±1/2°	DIMENSION STYLE IN/MM DRAWN BY DATE JJS 12/03/87 CHECKED BY DATE PATEL 12/03/87 APPROVED BY DATE LENZ 12/03/87	SCALE --- DESIGN UNITS INCH THIRD ANGLE PROJECTION	TITLE TRIFURCON TERMINAL CRIMP TYPE, .156 CENTERS 22 TO 26 AWG	
	MATERIAL NO. SD-7258	DOCUMENT NO. SD-7258	SHEET NO. 1 OF 2	MOLEX INCORPORATED THIS DRAWING CONTAINS INFORMATION THAT IS PROPRIETARY TO MOLEX INCORPORATED AND SHOULD NOT BE USED WITHOUT WRITTEN PERMISSION		
	DRAFT WHERE APPLICABLE MUST REMAIN WITHIN DIMENSIONS		SIZE D			
	REV T1	DESCRIPTION				

7258-(\*)\*

7258-A(\*)\*

PART NO.	ENG. NO.	PART NO.	ENG. NO.	PART NO.	ENG. NO.	PART NO.	ENG. NO (SUFFIX ONLY)	PART NO.	ENG. NO (SUFFIX ONLY)	VOID CKT.	PART NO.	ENG. NO (SUFFIX ONLY)	VOID CKT.
08-50-0183	7258-(P909)	08-04-0001	7258-A(999)										
08-50-0185	7258-(P909)IL	08-65-0121	7258-A(P56)IL	ES-276-P561									
08-56-0181	7258-(503)	08-65-0122	7258-A(P56)IL										
08-56-0182	7258-(503)IL	08-56-0123	7258-A(P558)	MAKE FROM									
08-50-0283	7258-(P909)IA	08-56-0124	7258-A(P558)IL	7258-A(P56)IL									
			7258-A(56)IL										
			7258-A(56)IL										
		08-52-0124	7258-A(P909)										
		08-52-0125	7258-A(P909)IL										
		08-65-0126	7258-A(P555)										
		08-65-0127	7258-A(P555)IL	ES-276-P555									
		08-58-0133	7258-A(550)IL	MAKE FROM									
		08-58-0134	7258-A(550)IL	7258-A(P555)									

COLUMN NO. 1	CON'T. IN COLUMN NO.	SHEET NO.	COLUMN NO. 2	CON'T. IN COLUMN NO.	SHEET NO.	COLUMN NO. 3	CON'T. IN COLUMN NO.	SHEET NO.	COLUMN NO. 4	CON'T. IN COLUMN NO.	SHEET NO.	COLUMN NO. 4	CON'T. IN COLUMN NO.	SHEET NO.	COLUMN NO. 4	CON'T. IN COLUMN NO.	SHEET NO.
--------------	----------------------	-----------	--------------	----------------------	-----------	--------------	----------------------	-----------	--------------	----------------------	-----------	--------------	----------------------	-----------	--------------	----------------------	-----------

CHANGE TO ME10 DEC NO. UCP2005-0964 DRAWN: JJS CHK'D: SAMIEC 2006/07/19 APPR: MARGULLIS 2006/11/05 T1 REV DESCRIPTION	QUALITY SYMBOLS	GENERAL TOLERANCES (UNLESS SPECIFIED) mm INCH 4 PLACES ± --- ± --- 3 PLACES ± --- ± --- 2 PLACES ± --- ± --- 1 PLACE ± --- ± --- ANGULAR ±1/2° DRAFT WHERE APPLICABLE MUST REMAIN WITHIN DIMENSIONS	DIMENSION STYLE		SCALE	DESIGN UNITS	THIRD ANGLE PROJECTION TRIFURCON TERMINAL CRIMP TYPE MOLEX INCORPORATED MATERIAL NO. DOCUMENT NO. SHEET NO. SEE CHART SD-7258 2
			IN/MM		---	INCH	
			DRAWN BY	DATE	TITLE		
			CHECKED BY	DATE			
		APPROVED BY	DATE				